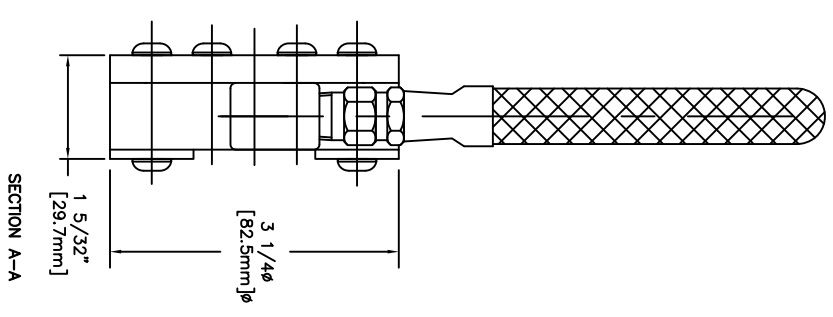
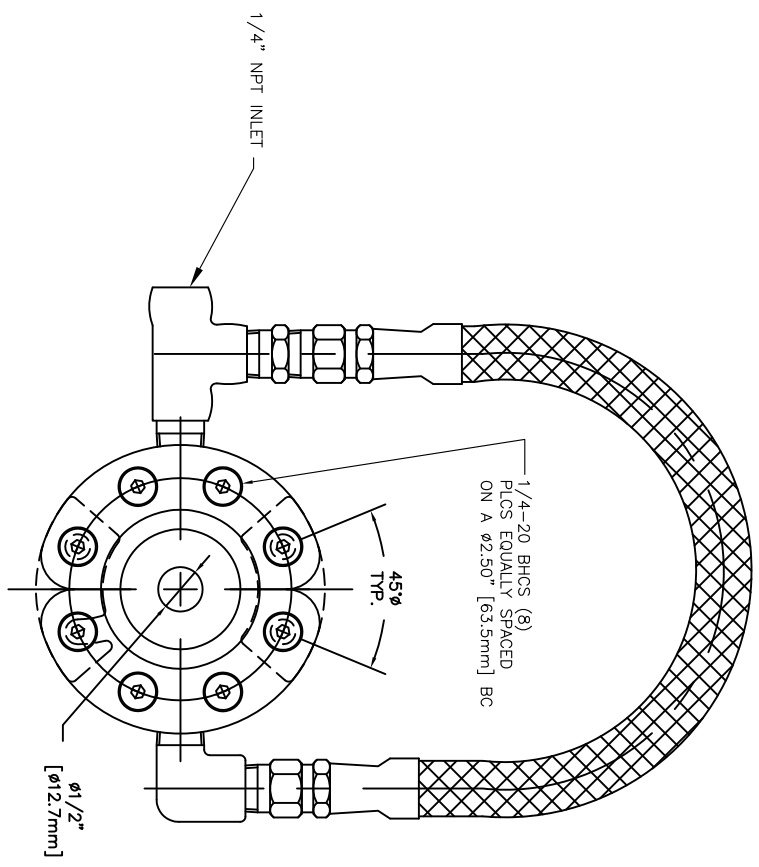


| DATE | SYM | REVISION | RECORD | AUTH. | DR. | CK. |
|------|-----|----------|--------|-------|-----|-----|
| | | | | | | |



| | | |
|---|------------------------------|--------------|
| EXAIR CORPORATION | | |
| TITLE STAINLESS STEEL SUPER AIR WIPE - 1/2" DIA. | | |
| DATE 3/11/08 | DRAWING NUMBER DIM-2400SS | SCALE 1:1 |

COPYRIGHT 2008 - EXAIR CORPORATION