

4

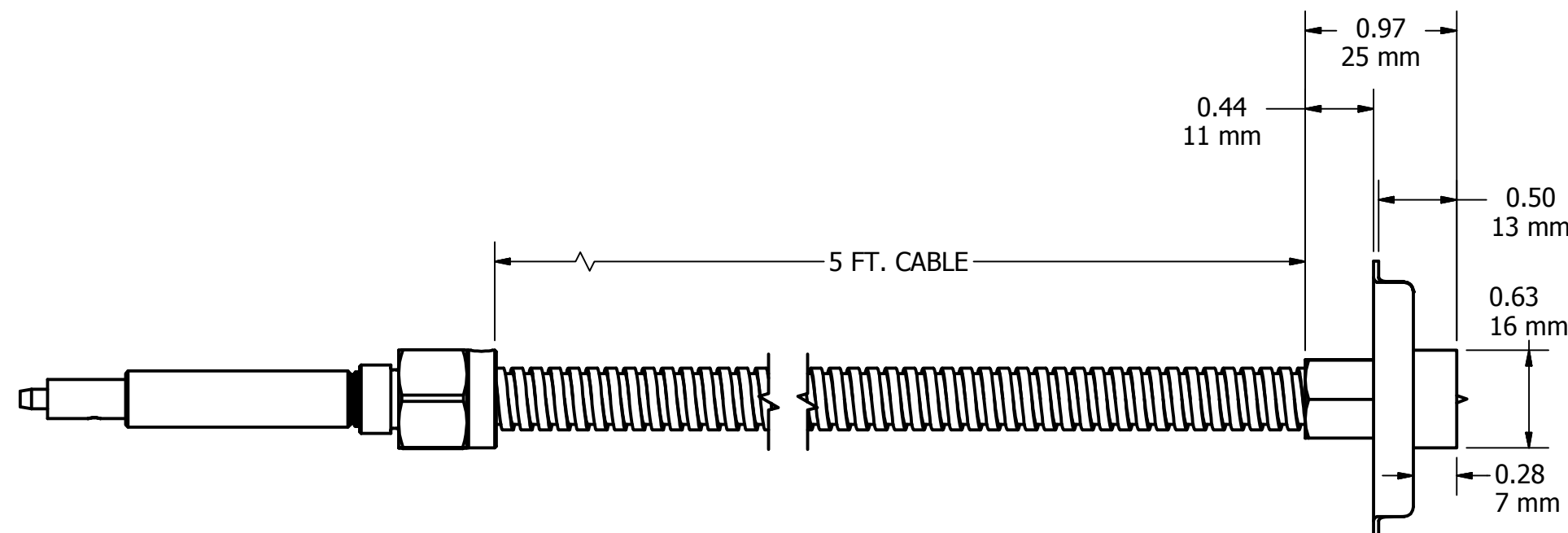
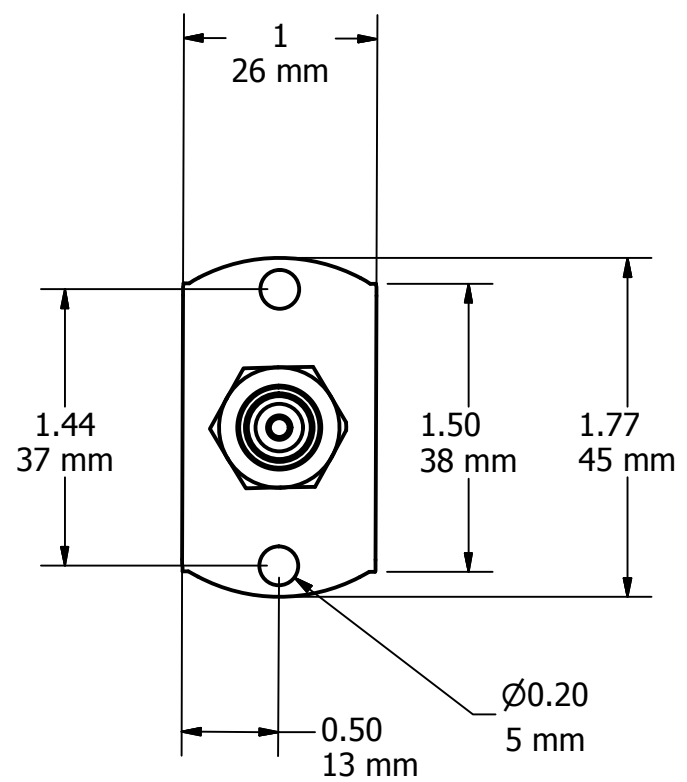
3

2

1

B

B



A

A

A

A

COPYRIGHT 2015
EXAIR CORPORATION

EXAIR CORPORATION

TITLE
IONIZING POINT

DATE
11/05/15

DRAWING NUMBER
8199-DIM

SCALE
1:1

4

3

2

1