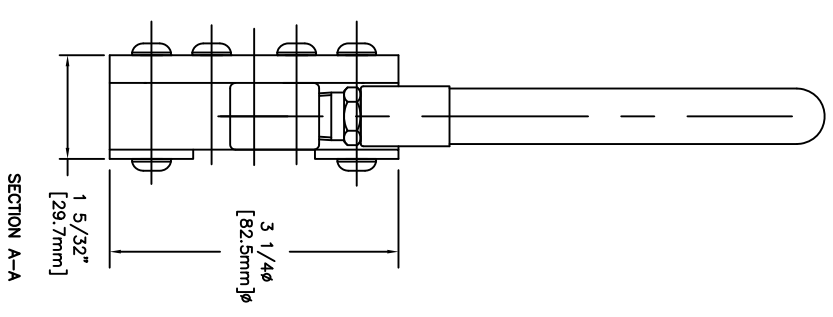
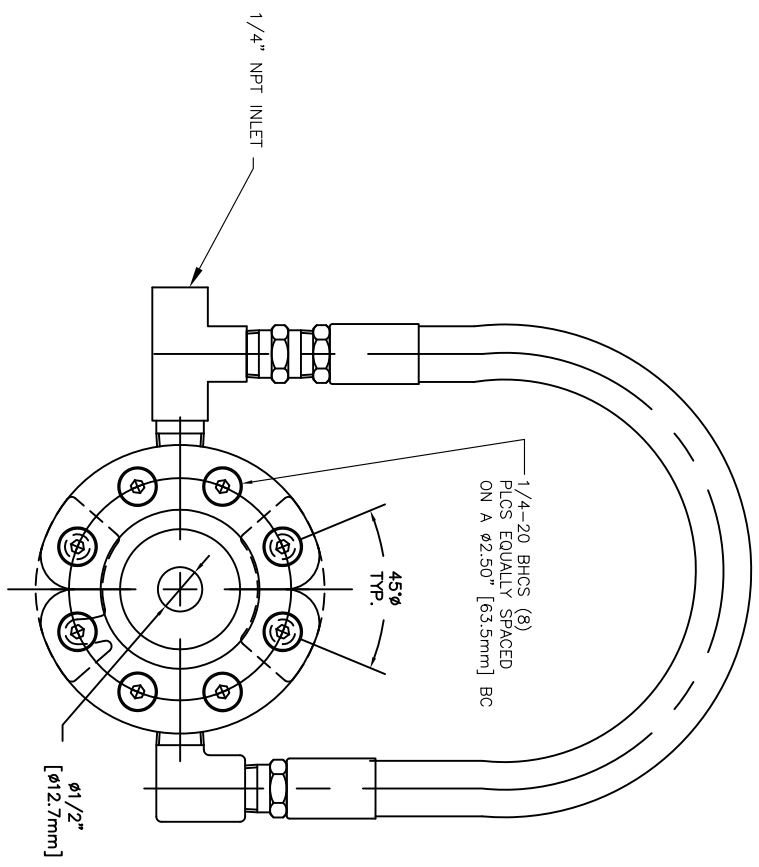


DATE	SYM	REVISION	RECORD	AUTH.	DR.	CK.



EXAIR CORPORATION		
TITLE SUPER AIR WIPE - 1/2" DIA.		
DATE 3/11/08	DRAWING NUMBER DIM-2400	SCALE 1:1

COPYRIGHT 2008 - EXAIR CORPORATION