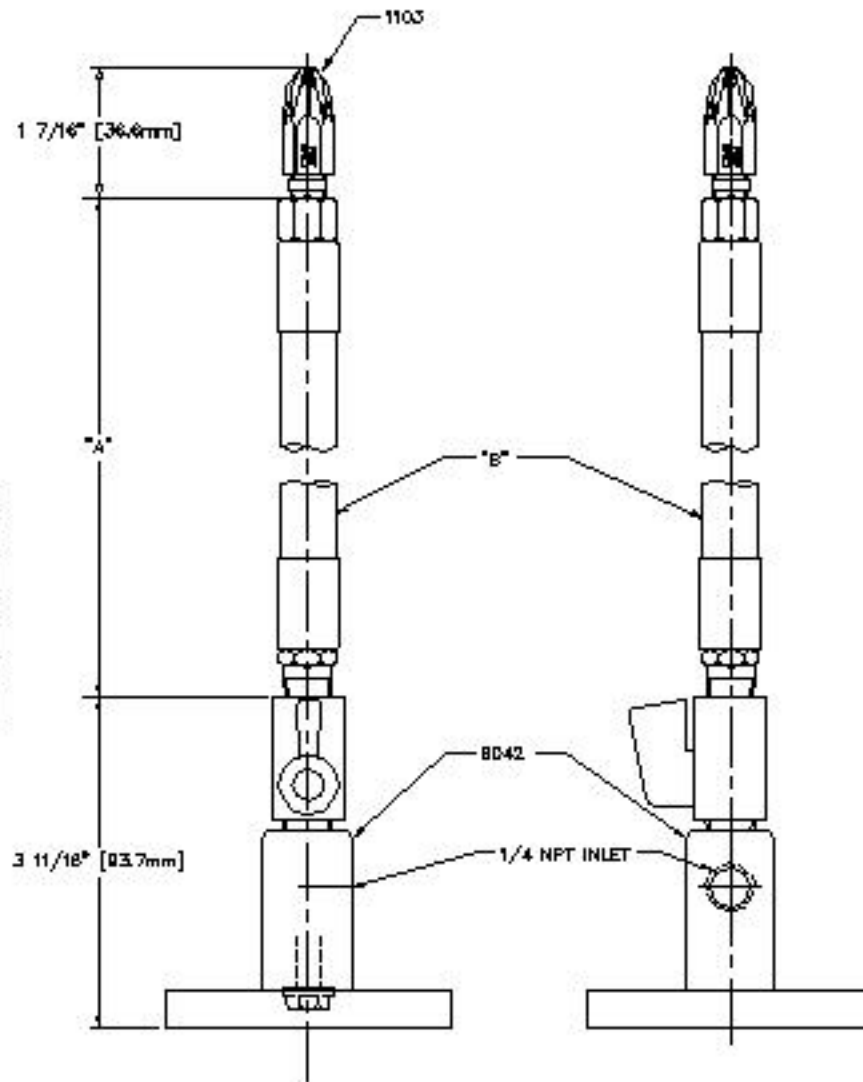


PART	"A"	"B"
1103-9306	3 5/8" [142.8 mm]	9296
1103-9352	11 5/8" [295.3 mm]	9262
1103-9368	17 5/8" [447.7 mm]	9288
1103-9374	23 5/8" [600.1 mm]	9274
1103-9390	29 5/8" [752.5 mm]	9260
1103-9839	35 5/8" [904.8 mm]	9298



COPYRIGHT 2003 - EXAIR CORPORATION

EXAIR CORPORATION		
TITLE SUPER AIR NOZZLE 1/8 NPT, STAY SET FLEXIBLE HOSES W/ WAG BASE		
DATE 11/24/03	DRAWING NUMBER DJM-1103-9356 TO 1103-9396	SCALE 1:1