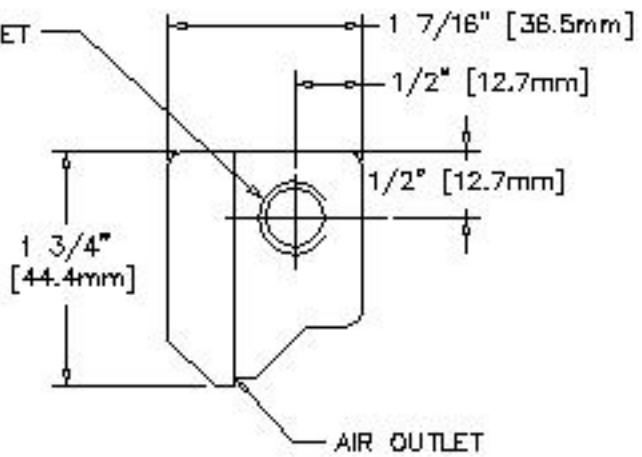
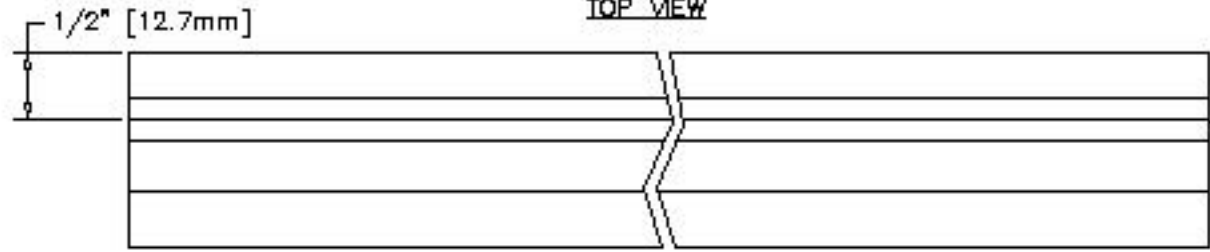


TOP VIEW

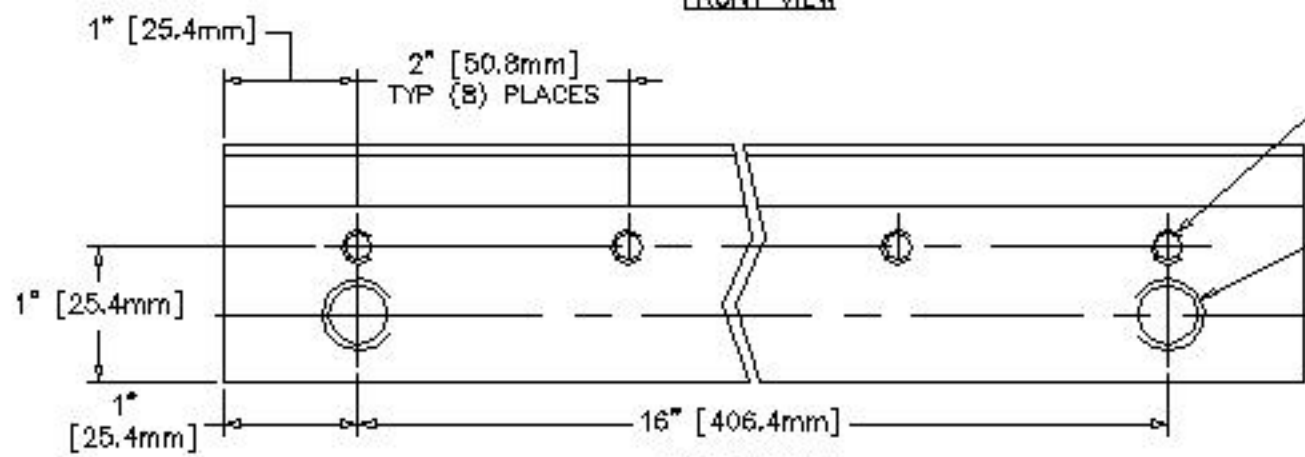
1/4-18 NPT AIR INLET  
TYP. BOTH ENDS



END VIEW



FRONT VIEW



BOTTOM VIEW

1/4-20 TAPPED HOLES AVAILABLE FOR MOUNTING SUPER AIR KNIFE. MAXIMUM THREAD AVAILABLE IS 1/2". NUMBER OF HOLES AVAILABLE IS (9).

1/4-18 NPT AIR INLET  
TYP. (2) PLACES

1/2" [12.7mm]

<b>EXAIR CORPORATION</b>		
TITLE <b>18" SUPER AIR KNIFE</b>		
DATE 2/26/98	DRAWING NUMBER DIM-110018	SCALE 1:1

COPYRIGHT 1998 - EXAIR CORPORATION