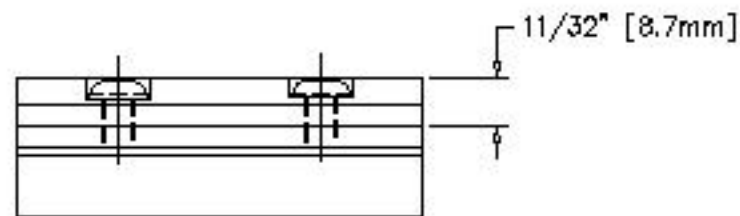
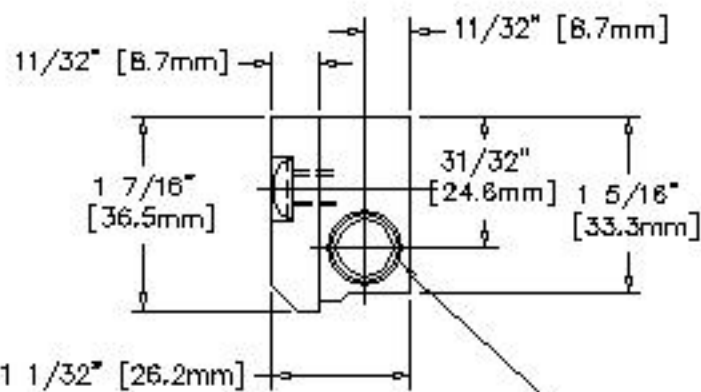
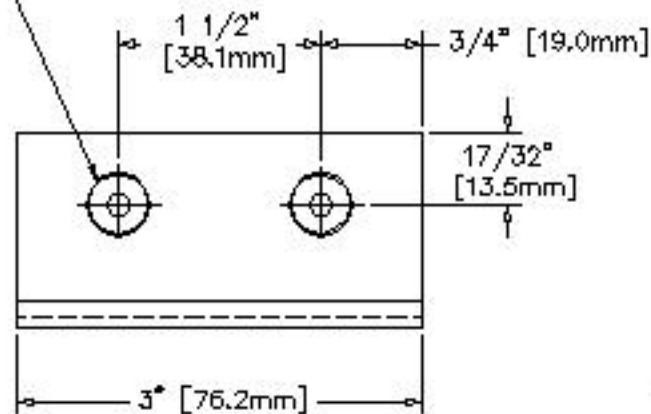
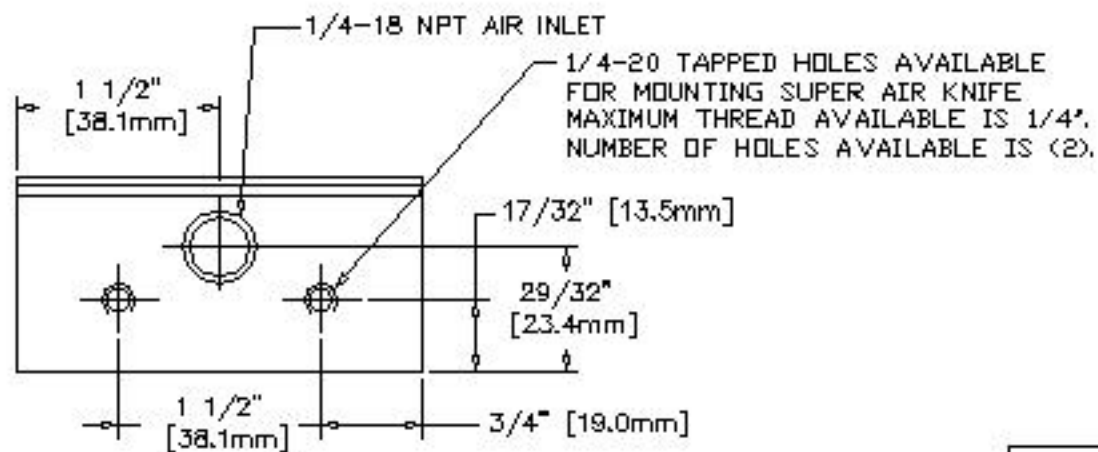


1/4-20 X 3/4 LG.  
BHCS TYP. (2) PLACES



1/4-18 NPT AIR INLET  
BOTH ENDS



**EXAIR** CORPORATION

TITLE  
3" SUPER ST.ST. AIR KNIFE

DATE 3/29/01 DRAWING NUMBER DIM-110003SS SCALE 1:1

COPYRIGHT 2001 - EXAIR CORPORATION