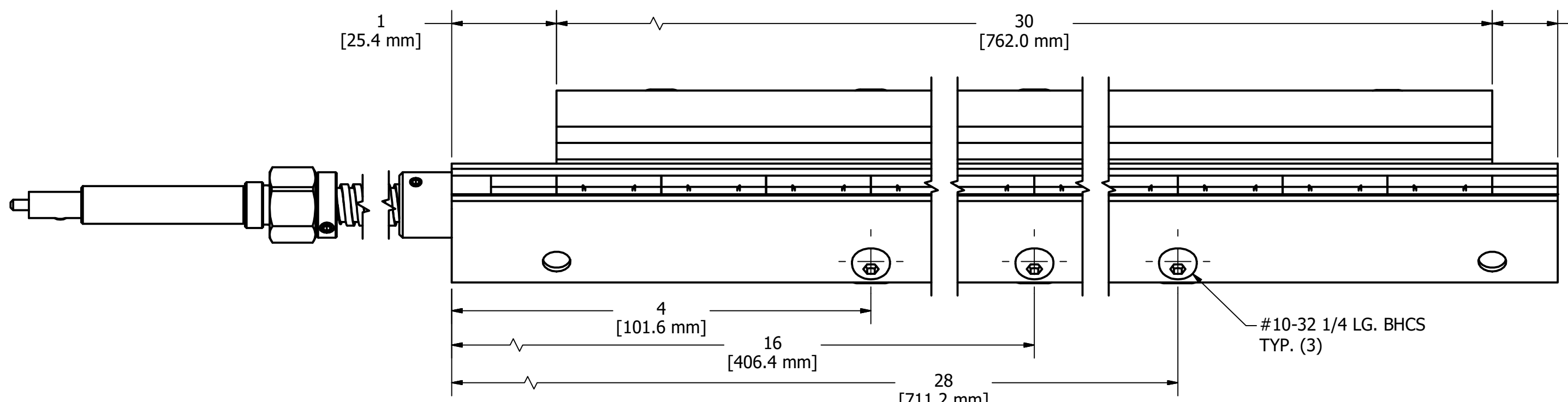
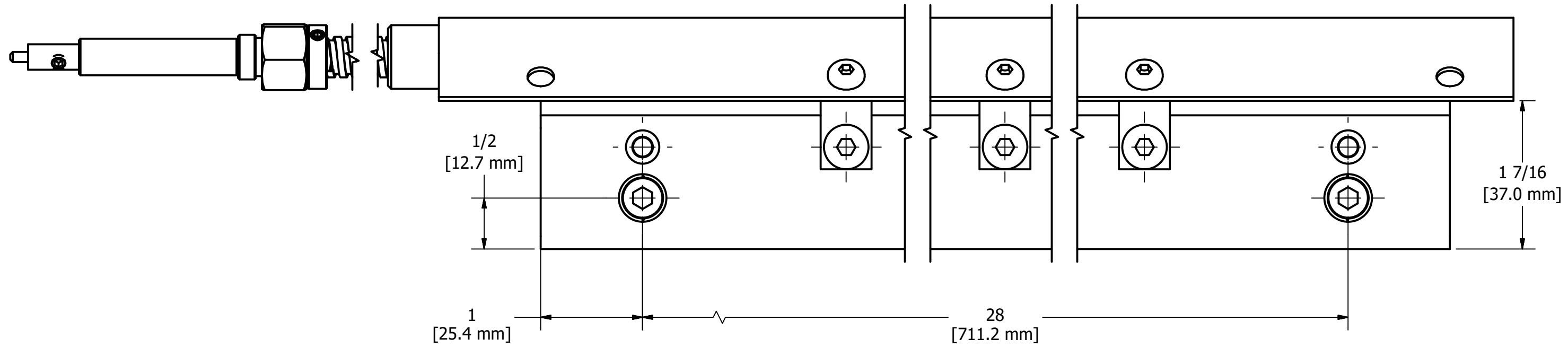
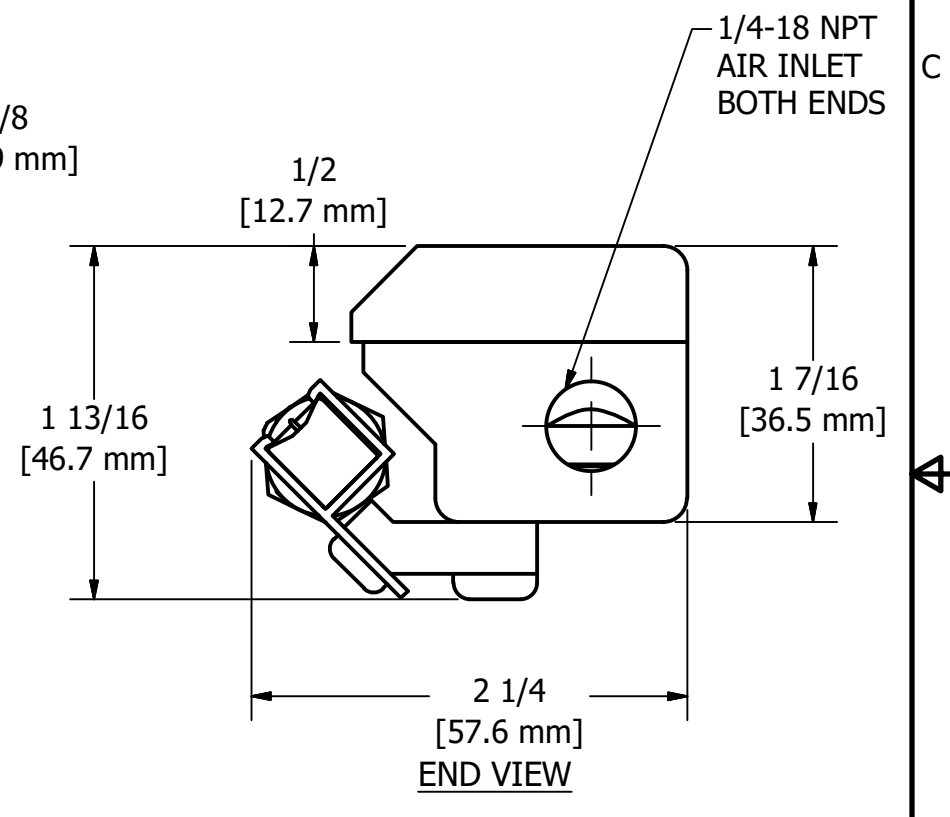


TOP VIEW



FRONT VIEW



BOTTOM VIEW

COPYRIGHT 2017
EXAIR CORPORATION

EXAIR CORPORATION		
TITLE 30" GEN. 4. SUPER ION AIR KNIFE		
DATE 3/29/17	DRAWING NUMBER DIM-112030	SCALE 1:1