

APPROX. 20 11/16"
[525.6mm]

11 3/16"
[284.4mm]

3 5/16"
[84.4mm]

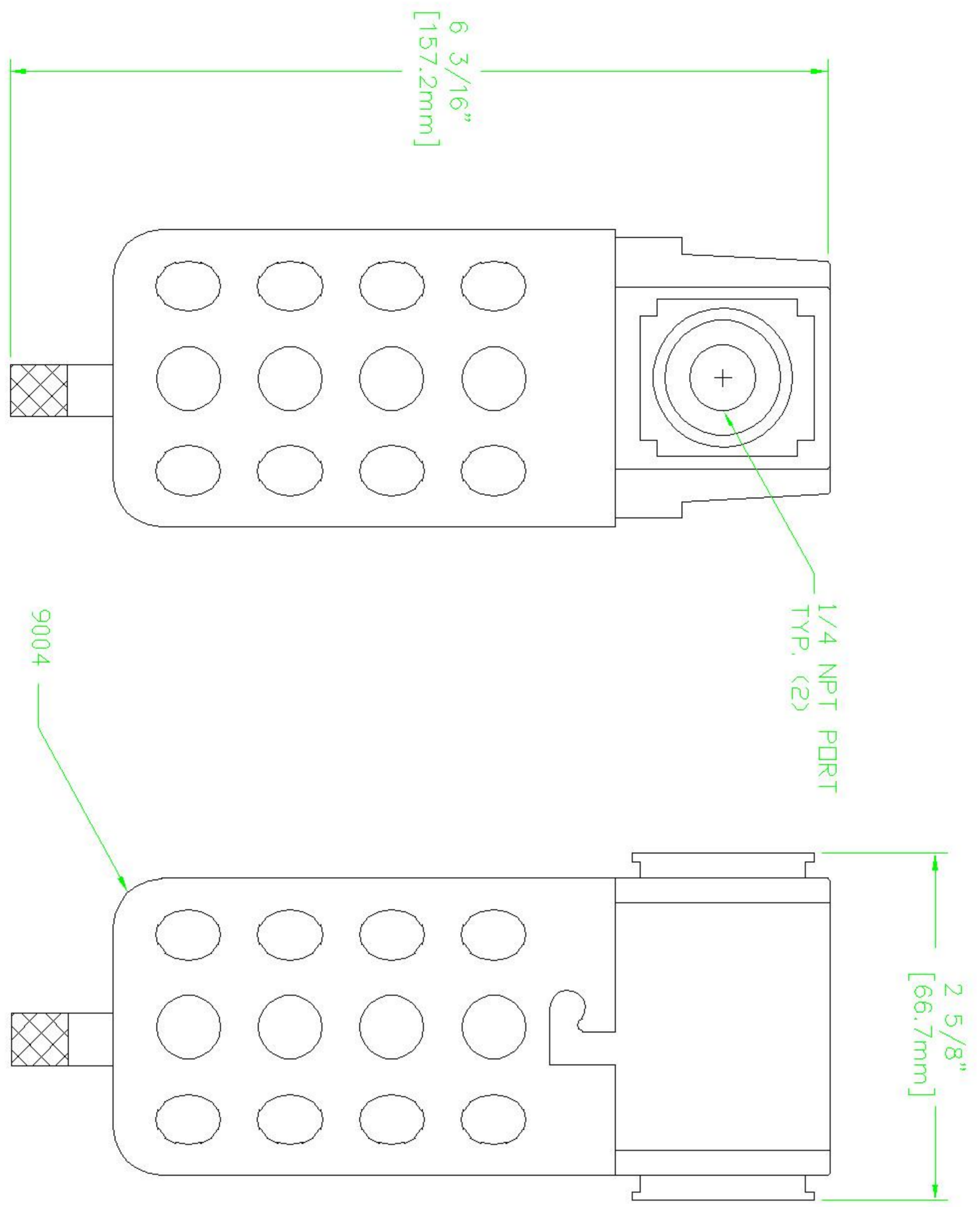
5 3/8"
[136.6mm]

3725

1/4-18 NPT
AIR INLET

9029

ADJ. KNOB

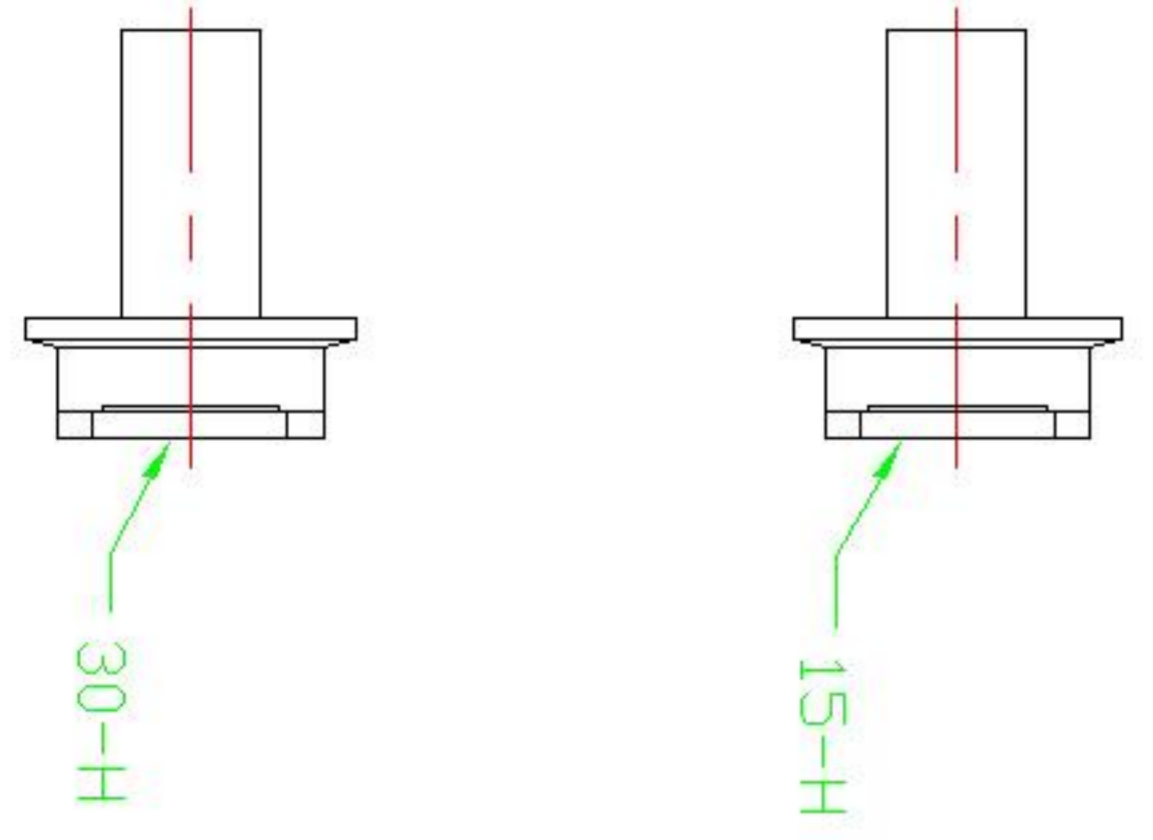


6 3/16"
[157.2mm]

1/4 NPT PORT
TYP. (2)

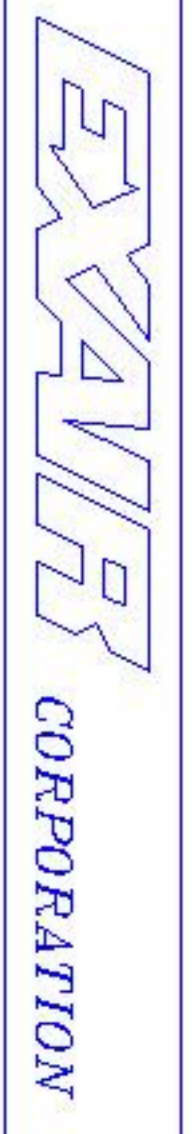
2 5/8"
[66.7mm]

9004



15-H

30-H



TITLE
ADJ. SPOT COOLER SYSTEM
DATE
9/16/05
DRAWING NUMBER
DIM-3925
1=1

COPYRIGHT 2005 - EXAIR CORPORATION